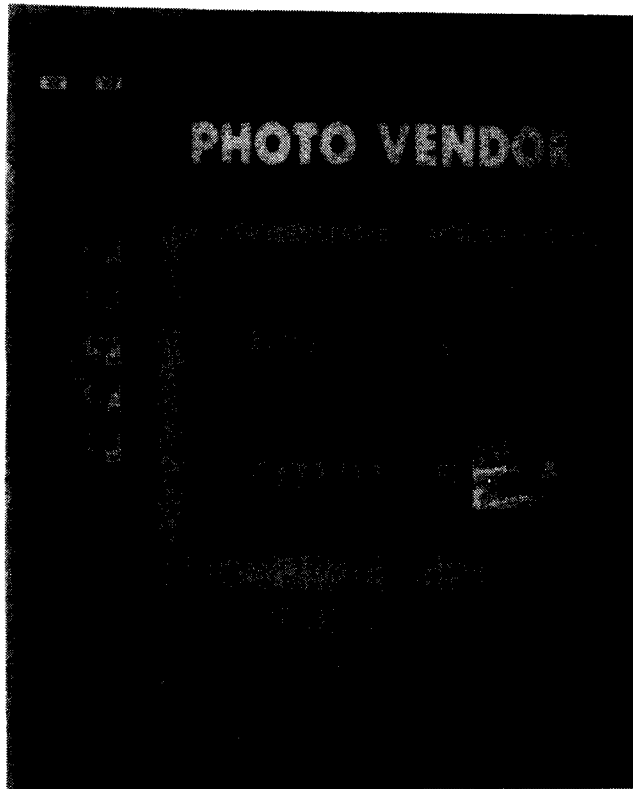


Electronic Merchandiser for



Installation and Set-up Guide

Model EM-1000



Electronic Merchandiser for Kodak Products

Preparing the Electronic Merchandiser for installation

Before you begin, please read the instructions carefully.

Materials and tools required

Materials required: 4-5/16" lag screws or 4-5/16" anchors as appropriate.

Tools required: Drill, 1/2" drill bit, (wood, concrete, etc.) screw driver, socket wrenches, pliers, knife to split rubber grommet, level, hammer.

1. Remove Electronic Merchandiser from shipping carton. Inspect unit to insure that no damage has occurred during shipping. Report any shipping damage to the delivering freight carrier or the Help Desk immediately.
2. Insert lock cylinder (see fig. 1a). Open door. Remove internal packing and supplies.

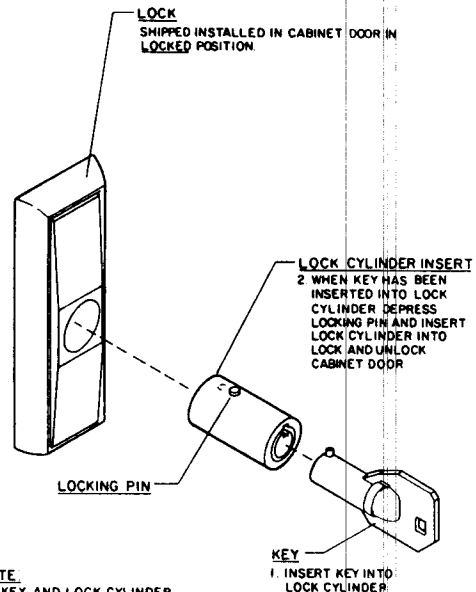


Figure 1a.

3. Install rubber grommet on power supply cord. Secure grommet in opening in bottom of cabinet (see fig. 1b).

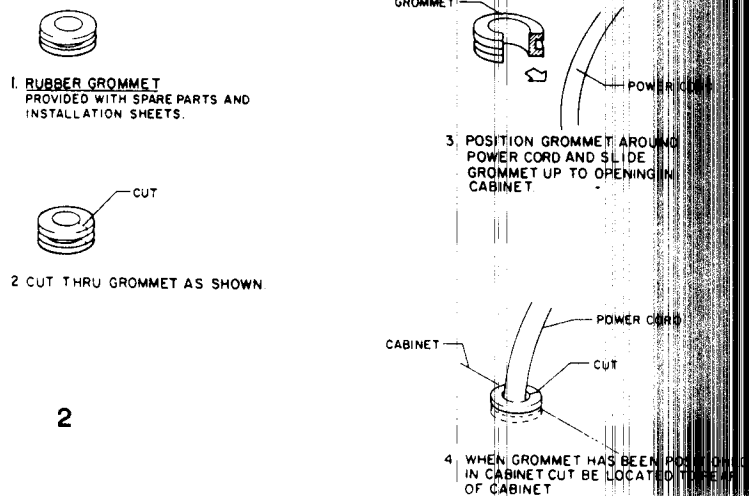


Figure 1b.

Electronic Merchandiser for Kodak Products

Installation Guide

1. Choose Installation location

- The location should:
 - Provide high visibility.
 - Be as close as possible to a source of 110V AC power.

NOTE: The unit should be plugged *directly into an existing or new outlet*. Be sure to observe all applicable electrical codes.

- Provide easy access to consumers.
- Be protected from direct sunlight if possible.
- Dimensions of the Electronic Merchandiser are 36 3/4" H x 30" W x 11 7/8" D (See fig. 2a).
- Weight is approximately 130 pounds empty.
- Requires 110V AC Power, < 2 amps.

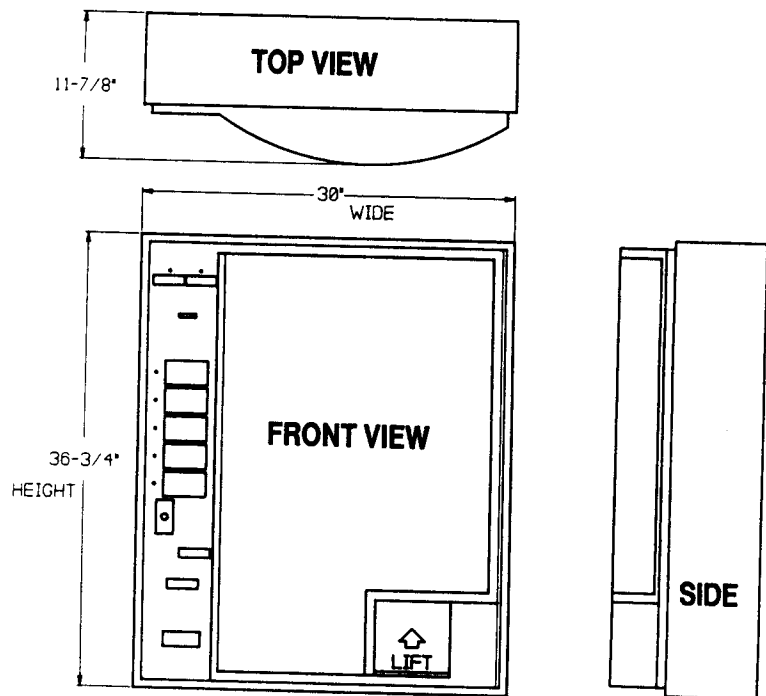


Figure 2a.

2. Locate and Mark Wall

- Ideal mounting height would place the unit with the bottom 28" from the floor. Mounting holes should be placed at 63 1/4" to achieve this height. Check to see if mounting is level. Actual mounting height may be adjusted if desired.

- If mounting wall is concrete or block, anchors should be placed in wall. The units should be attached with lagg screws. If mounting wall is dry wall construction, unit should be mounted directly to wall studs. Mounting holes are provided to accommodate either 16" or 24" centers.

Note:
The upper mounting channel is secured to the back of the unit for shipping.

- A template may be made from the packing cardboard to facilitate marking hole locations on the wall.

3. Drill mounting holes and install anchors (if applicable).

4. Loosen screws securing upper mounting channel to back of unit and remove channel. Secure the upper mounting channel to wall (see fig. 2b). Hang the unit on the mounting channel. Retighten screws in upper channel. Insert lag screws through lower mounting holes in back of cabinet.

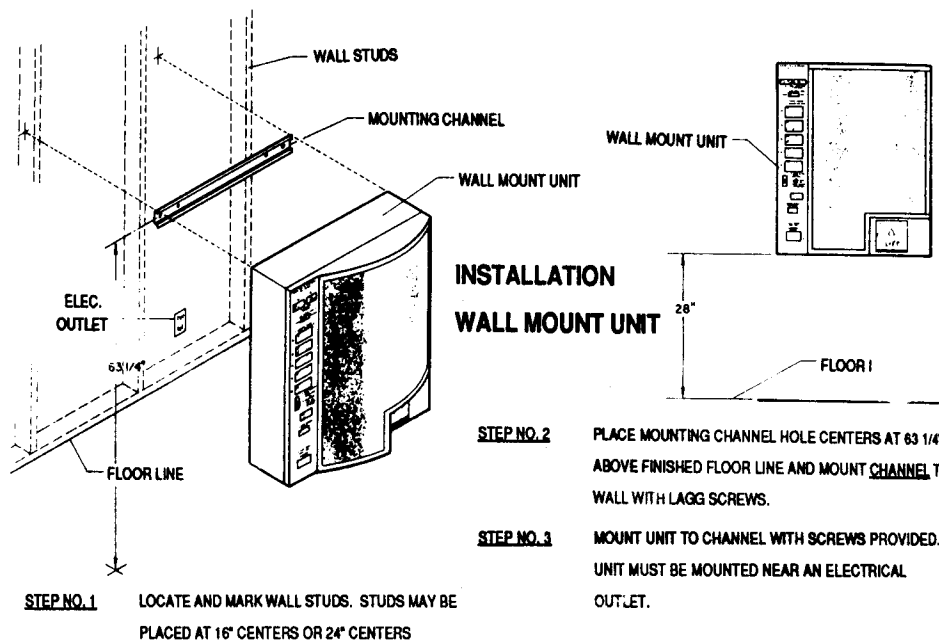


Figure 2b.

5. Check mounted unit carefully to insure that all connections are properly tightened and that unit is securely attached to the wall.
6. Connect unit to electricity being careful to observe applicable local codes. The unit should be plugged *directly* into a 110V AC outlet. Extension cords are not acceptable.

Electronic Merchandiser for Kodak Products

Initial Set-up Guide

1. Select items to be dispensed and assign helix position for each product. Selections 1, 2, and 5 are designed to accommodate *non-carded* or *cartonless* film package. Selection 3 is designed to accommodate all models of Single Use Cameras. Selection 4 is designed to accommodate Funsaver 35 (w/o flash) only (see fig 3).

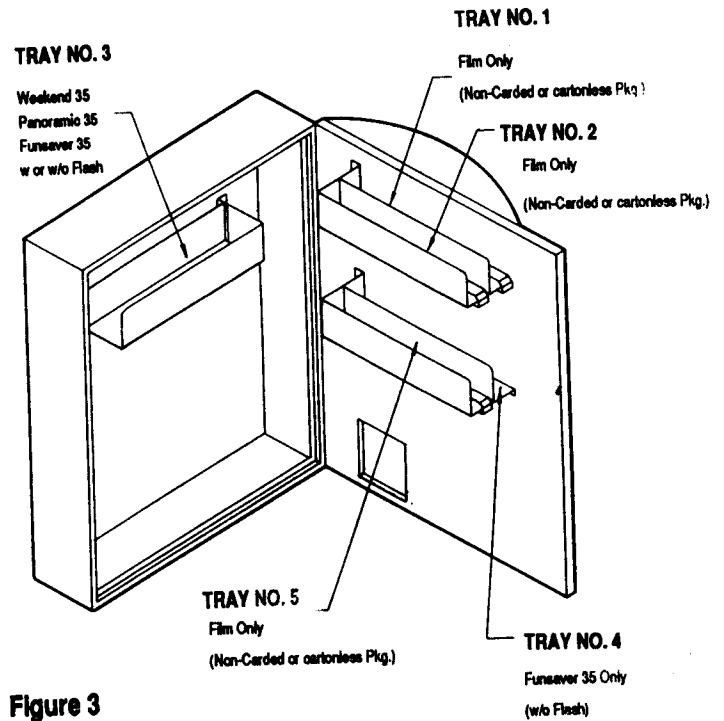


Figure 3

2. Select product identification labels and affix the appropriate price sticker to lower right-hand corner of each Product Identification Label (see fig. 4).

Product Identification Label

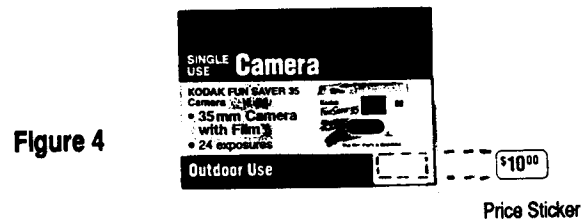


Figure 4

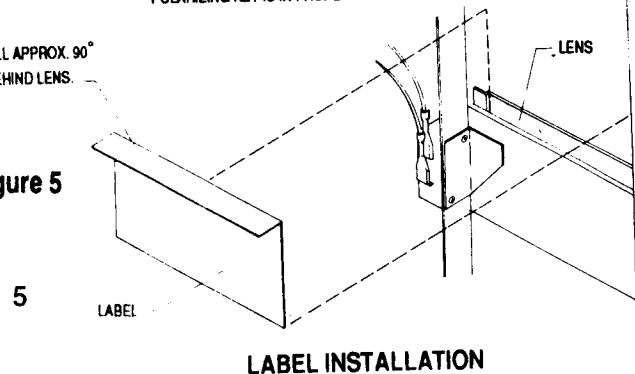
3. Insert Product Identification Labels into Product Selector Buttons (see fig. 5).

Note: The procedure for removing cover panel to access Product Selector Buttons is illustrated in Figure 23.

NOTE:
IF CONNECTOR IS ACCIDENTLY REMOVED FROM CONTROL BOARD WHILE INSERTING TOP LABEL, CAREFULLY REINSTALL MAKING CERTAIN POLARIZING KEY IS IN PROPER LOCATION.

FOLD EDGE OF LABEL APPROX. 90° BEFORE PLACING BEHIND LENS.

Figure 5



LABEL INSTALLATION

4. Set prices for each selection. Begin by depressing the service Mode Button two times. Display will indicate "SP". Then depress each Product Selector Button until the desired price appears in the display. When the desired price is displayed, release Product Selector Button. The price for this selection has now been set. Repeat for each selection. For a complete description of the "Service Mode" function, see the "Service Mode" section of this manual.

5. Load product into the appropriate helixes as illustrated in figs. 6 - 14.

Correct loading procedures for Trays 1 and 2

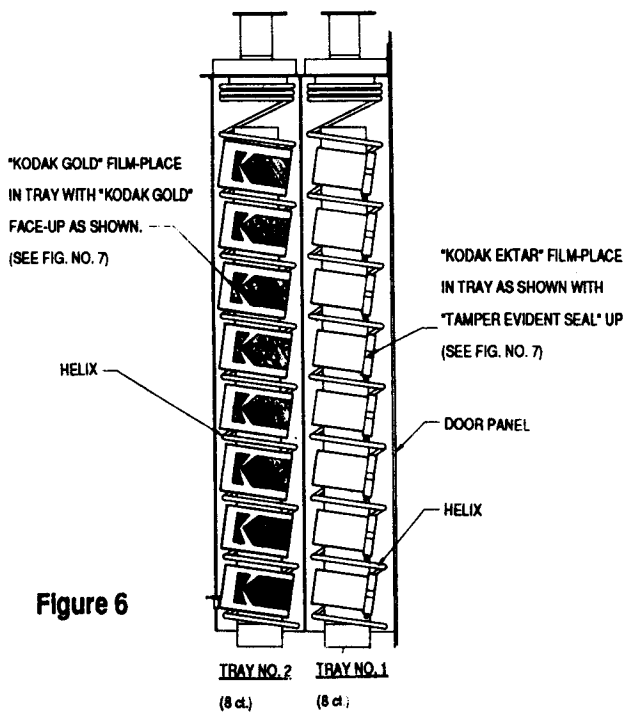


Figure 6

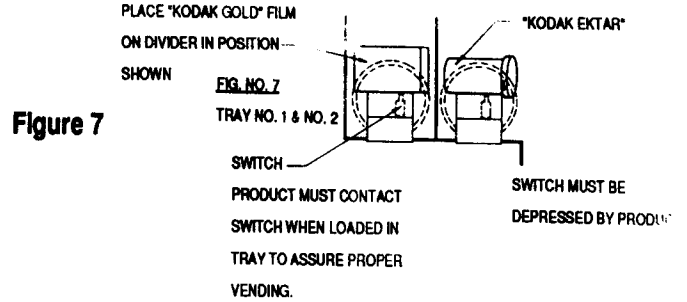
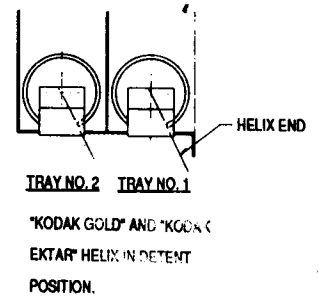


Figure 7

Figure 8



Correct loading procedures for Tray 3

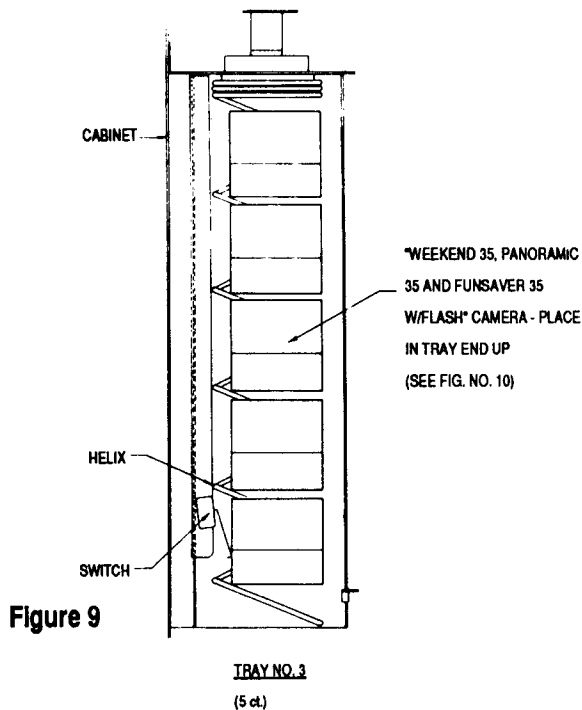


Figure 9

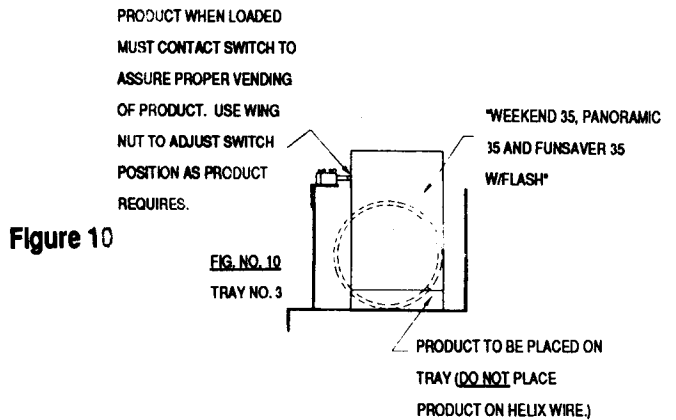
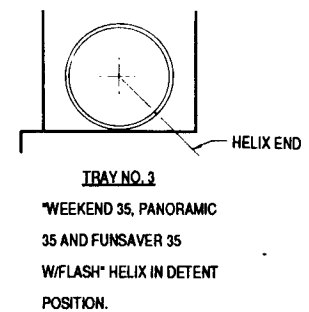


Figure 10

Figure 11



Correct loading procedures for Trays 4 and 5

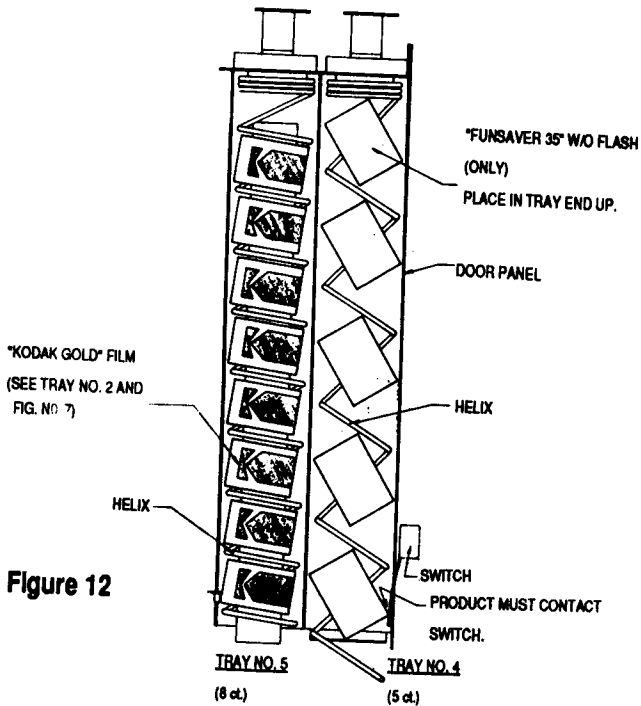


Figure 12

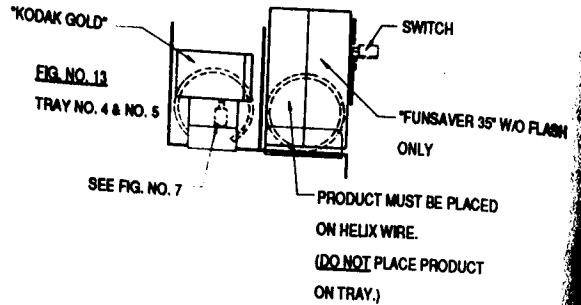
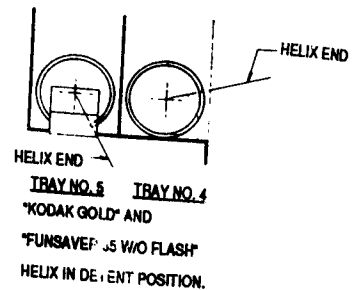


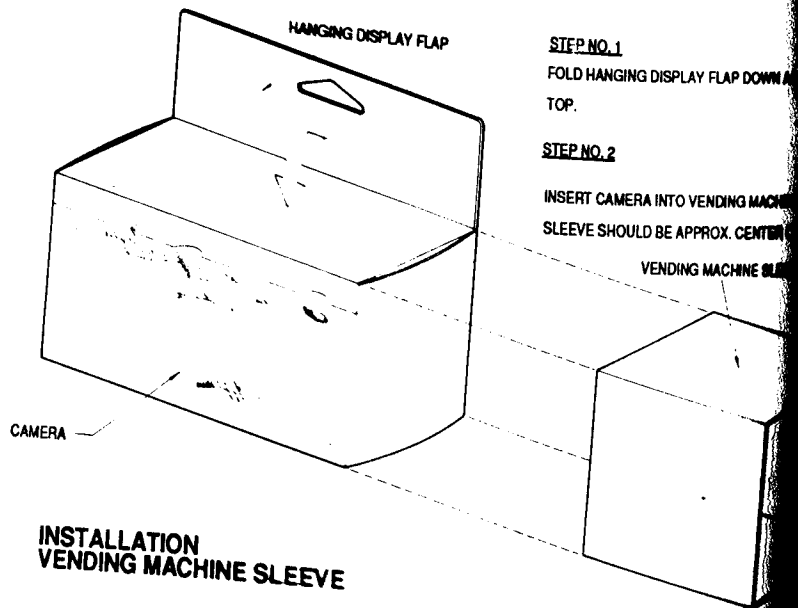
Figure 13

Figure 14



NOTE:

Film must be *non-carded* or *cartonless* package. Single Use Cameras must be inserted into the appropriate vending sleeve before being loaded into the helix. Vending sleeves are available from the Zone Project Coordinator. The proper method for loading Single Use Cameras into vending sleeves is illustrated in fig. 15.



INSTALLATION VENDING MACHINE SLEEVE

Figure 15

6. Check helix end position for each tray. Trays 1, 2, 3, and 5 should have helix end positions at "5 o'clock". Tray 4 should have a helix end position of "2 o'clock" (see figs. 16 - 18). For trays 1, 2, and 5, helix end should be *inside* the film adapter.

To adjust the position of the outer tip of the helix, first of all disengage the helix from the back rotation mechanism by twisting the helix COUNTER CLOCKWISE until free. Then reposition the outer tip of the helix and reattach the helix to the back rotation mechanism with a CLOCKWISE twist.

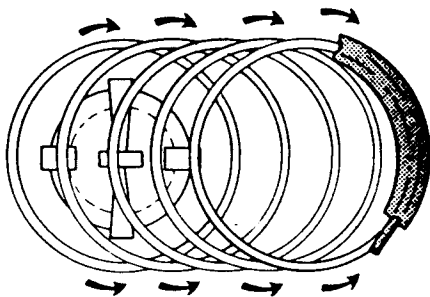


Figure 16

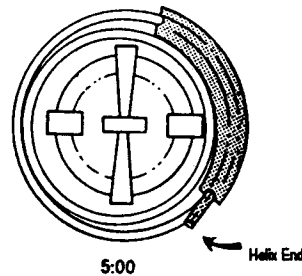


Figure 17

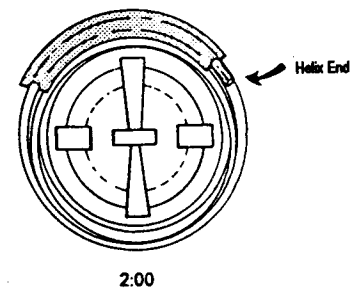
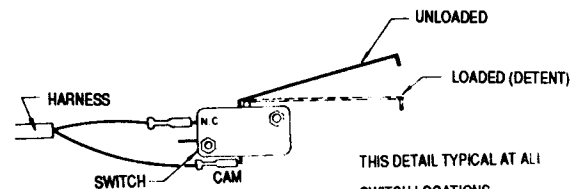


Figure 18

7. Check product sold-out switch for each selection. Switch should be in the loaded (detent) position (see fig. 19)



SWITCH DETAIL

Figure 19

THIS DETAIL TYPICAL AT ALL SWITCH LOCATIONS - SWITCH MUST BE PLACED IN LOADED (DETENT) POSITION BY PRODUCT TO VEND PRODUCT PROPERLY.

8. Fill change tubes with Susan B. Anthony Dollar Coins (see fig. 20) if unit is equipped with change-making option.

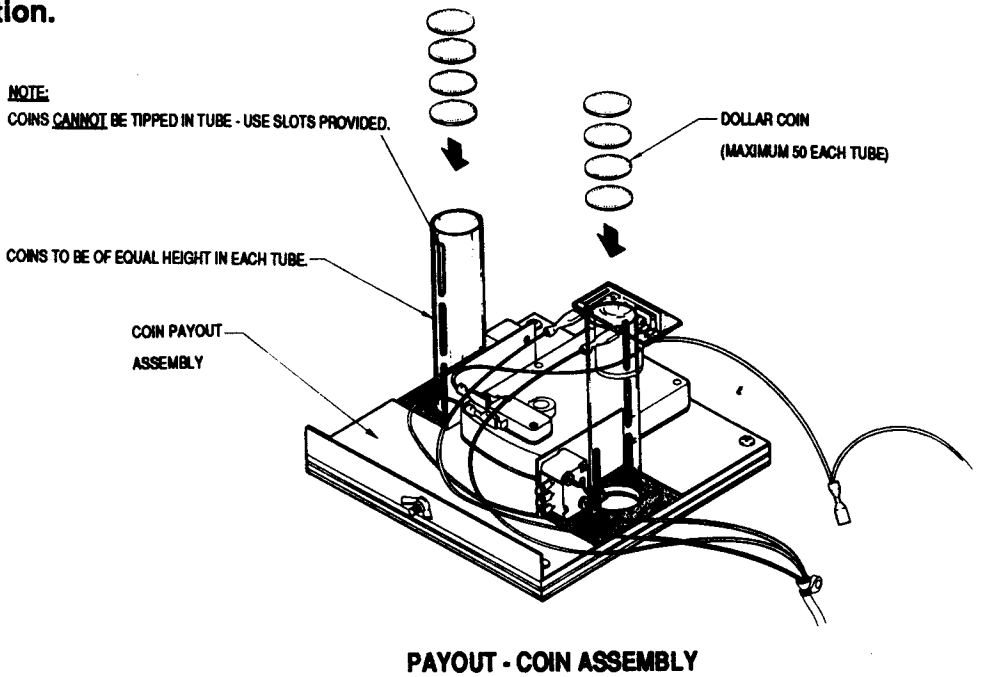


Figure 20

9. Check security door for proper operation by lifting product delivery door (see fig. 21).

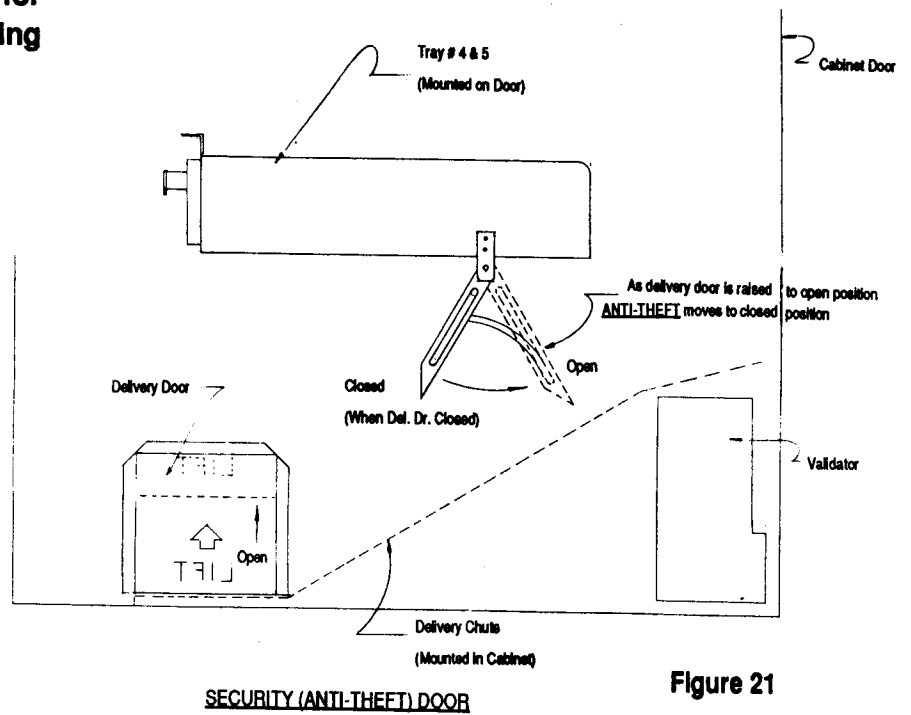


Figure 21

10. Test vend each product selection at least 5 times using a variety of currency denominations to insure proper operation. Replace product and restock change tubes after testing.

11. Affix Operator Identification label to lower section of Consumer Interface Panel (see fig. 22).

CONSUMER INTERFACE PANEL

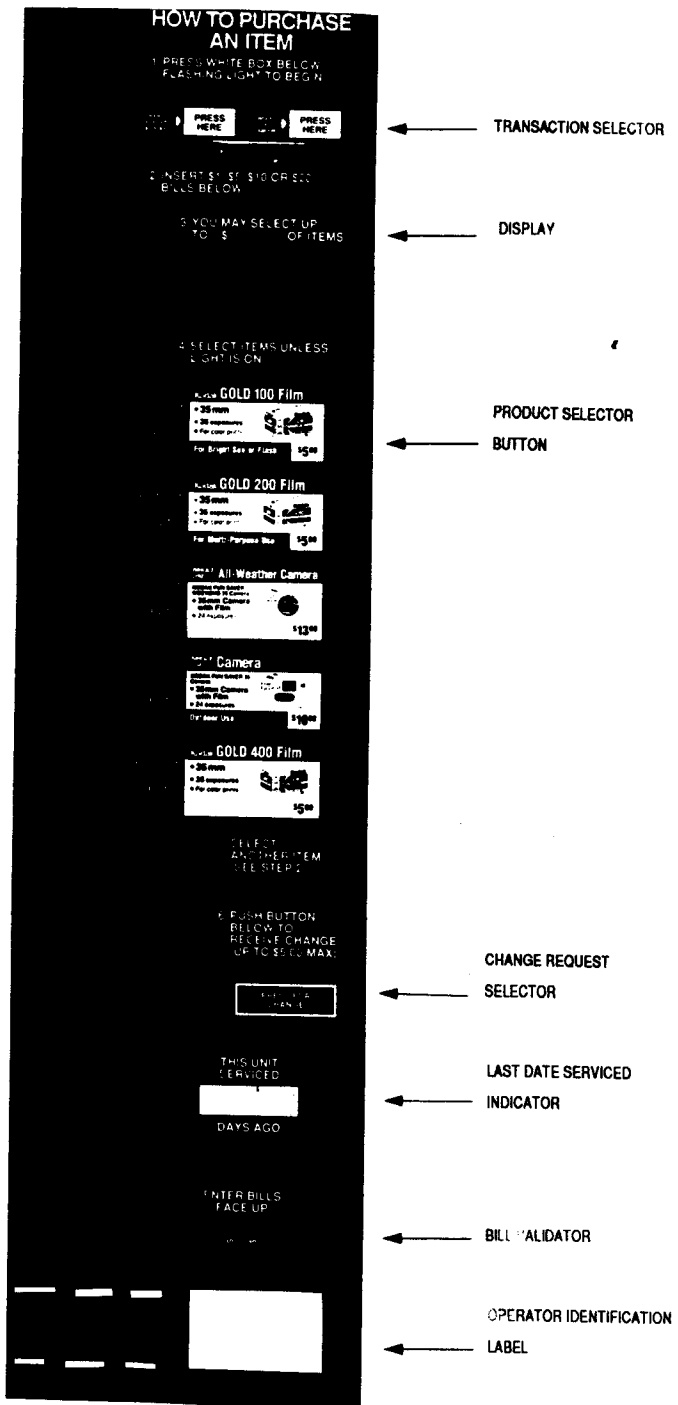


Figure 22

The Service Mode Function

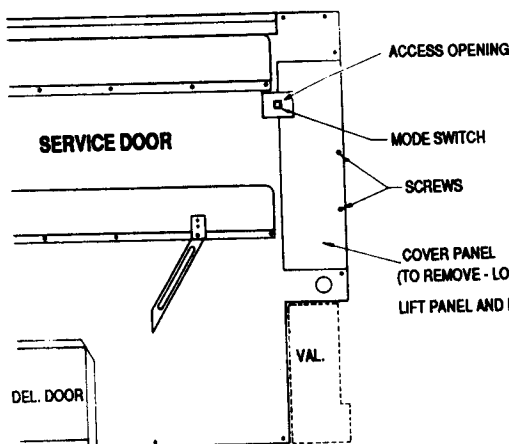
The service mode may be accessed by depressing the Mode Switch (see figure 23). The service mode offers three basic functions. They are:

- a) Test or "service" vend
- b) Price setting for Product Selection
- c) Display total amount (in dollars) vended

To make a Test or Service Vend, press the mode switch once and then press the desired Product Selector Button.

To set the price of an item, depress the mode switch two times. Then depress the Product Selector Button of the item for which you wish to set a price. When the desired price appears in the display window, release Product Selector Button. Price is now set. To reverse the sequence in which amounts are displayed (change from increasing order to decreasing order or from decreased order to increasing order) release Product Selector Button. Wait one second, then press Product Selector Button again. Prices will now be displayed in the reverse sequence. Release Product Selector Button when the desired price is displayed.

To Display Cumulative total amount vended in dollars, depress mode switch 3 times. The system will default to sales mode if no activity takes place within 20 seconds after mode switch has been depressed.



Note:
The Mode Switch is a small square button located on the side of the system control board. The Mode Switch can be reached through the Access Opening.

MODE SWITCH

1. PRESS ONCE (1) FOR SERVICE VEND BY PRESSING DESIRED BUTTON ON FRONT OF MACHINE.
2. PRESS TWICE (2) THEN DEPRESS SELECTION DESIRED PRICE DISPLAY - CONTINUING TO HOLD BUTTON INCREMENTS. PRICES - REMOVE FINGER 1 (ONE) SECOND PRICE WILL NOW DECREMENT.
3. PRESS BUTTON THREE (3) TIMES. DISPLAY WILL NOW SHOW TOTAL AMOUNT (\$) VENDED.

Figure 23

Quick Service Tips

If Machine Falls to Accept Money:

1. Check the wiring on all micro switches, connectors, and fuses.
2. Check for power to the validator by removing the wiring harness from the power box to the door and re-connect. If the validator doesn't perform initialization cycle, check connectors.
3. Make sure the validator stacker is closed.
4. Check power to the machine.

If The Machine Accepts Money But Motor Doesn't Run to Vend Product:

1. Check out-of-product switch and sold-out light.
2. Check wire to helix motor.
3. Check the micro switch in the Selector Button.
4. Check connections.

If The Machine Accepts Money and The Motor Runs But No Product is Vended:

1. Check to see if helix is disconnected from the motor.
2. Check for jammed product (is product incorrectly packaged or placed in an incorrect helix?).
3. Check sold-out switch.
4. Check connections.

If Delivery Door Does Not Close:

1. Check for binding: Adjust or Lubricate as needed.

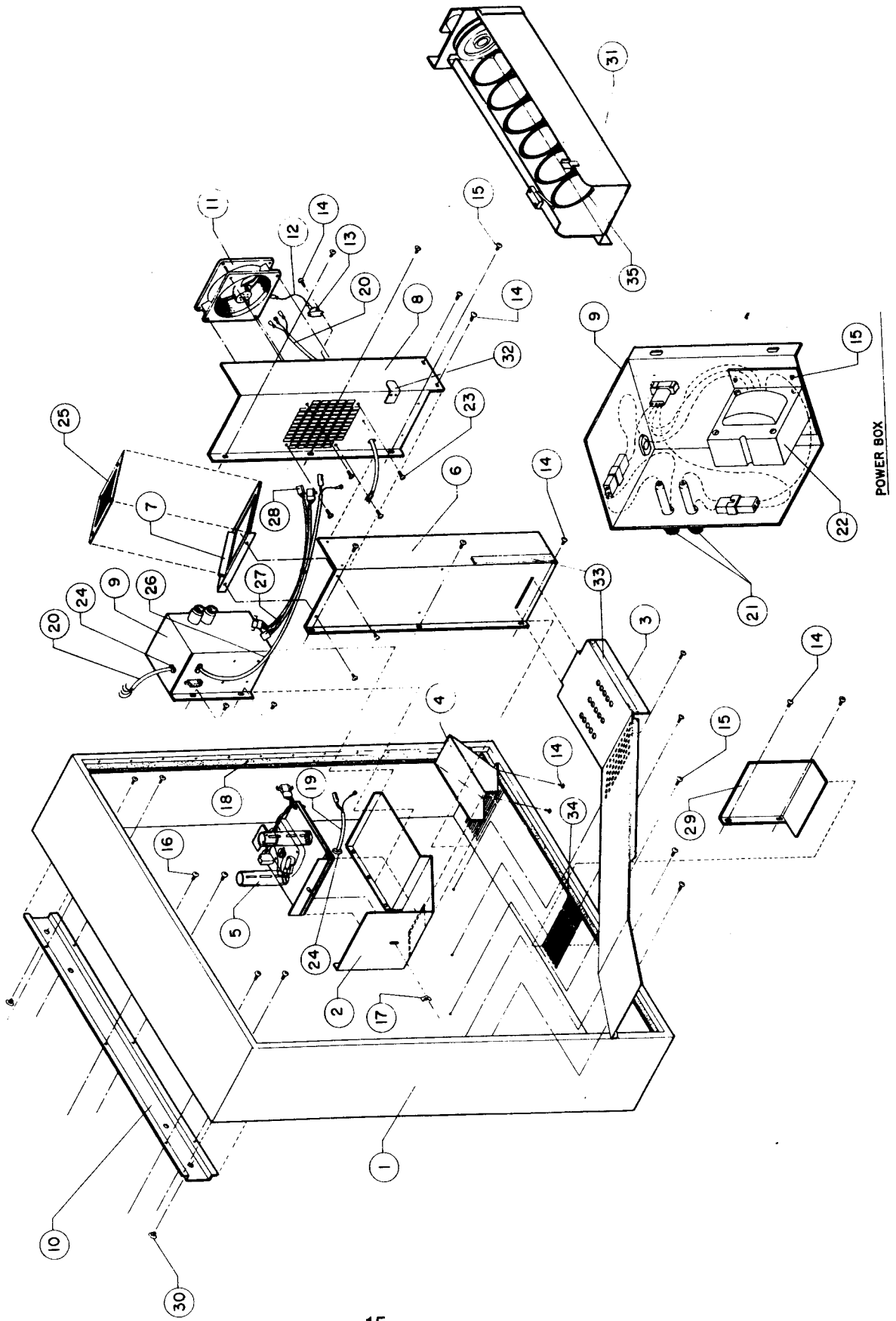
NOTE: A separate manual is included for the bill validator which includes complete details about the validator, its operation and trouble shooting

Replacement Parts

Cabinet Assembly-Model EM-1000

1	20538	Cabinet Weld Assembly	1
2	20561-WHT	Chute-Upper	1
3	20562-WHT	Chute-Lower	1
4	20694-BLK	Hopper-Coin Return	1
5	20565	Payout-Coin Assembly	1
6	20688	Panel-Fan Cover Lower	1
7	20852	Bracket-Filter Mtg.	1
8	20687-BLK	Panel-Fan Cover	1
9	20679-BLK	Cover-Transformer	1
10	18702	Channel-Mounting	1
11	20695	Fan-70 CFM, 115 VAC	1
12	20840	Harness-Fan	1
13	20542	Switch-Temperature	1
14	1868-BLK	Screw, #8-18 x 1/4 Tapping	7
15	1298-BLK	Screw, #8 x 3/8 Tapping	8
16	2614-BLK	Screw, #8-18 x 1/2 Tapping	6
17	19170	Wing Nut #8-32	1
18	810-00	Neoprene Strip	9 ft.
19	20726	Cord Service	1
20	20697	Harness-Fan	1
21	17920	Fuse Assembly	1
22	20827	Transformer Assembly	1
23	1899	Screw #8-18 x 5/8 Tapping	4
24	2438	Bushing-Strain Relief	2
25	20696	Filter, Papst #LZ60	1
26	20596	Harness-Lamp	1
27	20742	Harness-Power	1
28	20697	Harness-Fan	1
29	20700-BLK	Panel-Lower Divide	1
30	20751	Plug-Hole	2
31	18714	Tray Assembly	1
32	20806	Door Switch Bracket	1
33	20682	Stripping, Neoprene	28"

Cabinet Assembly-Model EM-1000



Replacement Parts

Door Assembly-Model EM-1000

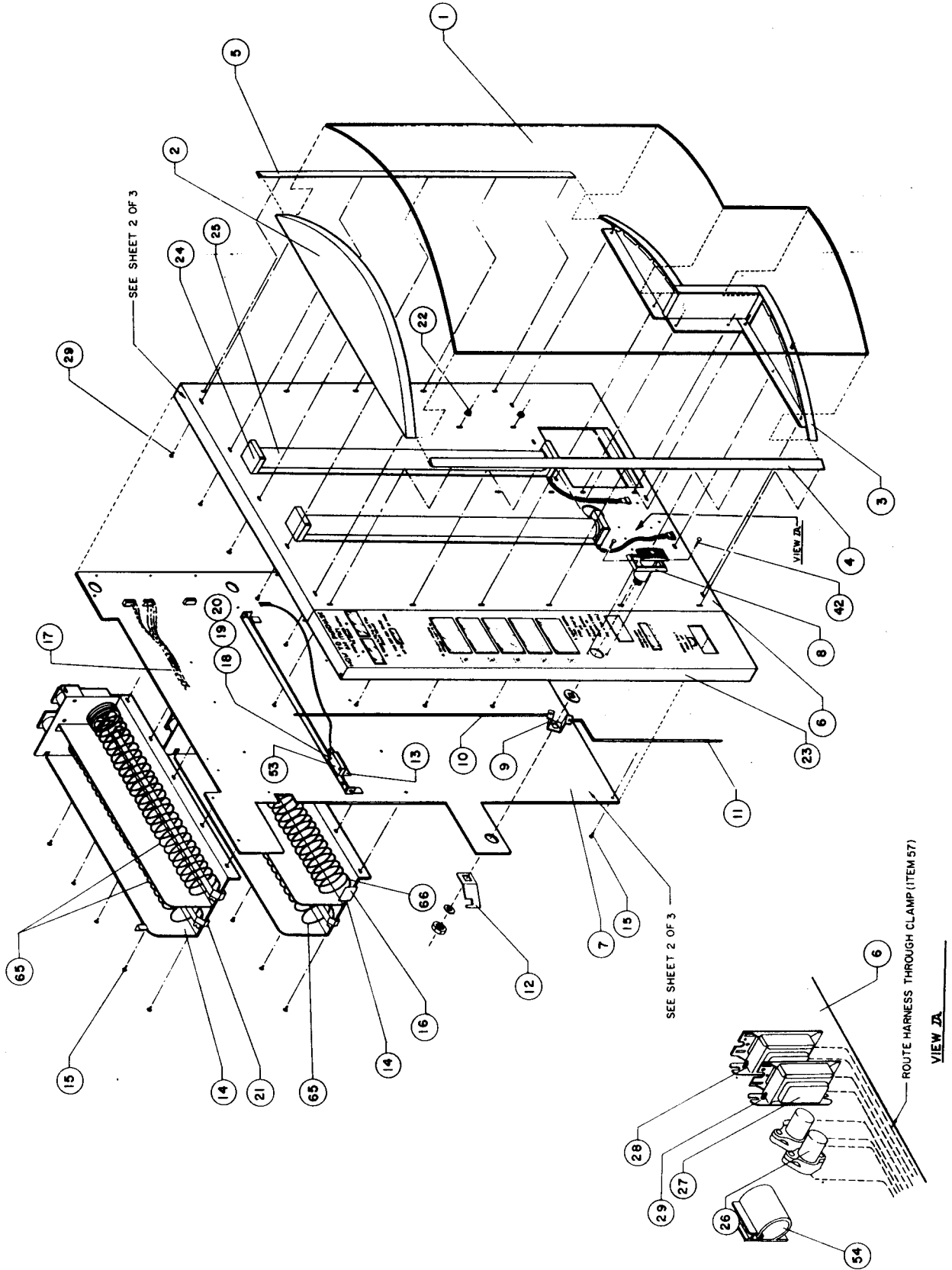
1	20528	Plastic-Service Door	1
2	20536-BLK	W.A. Top Cap	1
3	20547	Base-Bottom Cap	1
4	20490-00-BLK	Holder-Left Side	1
5	20489-00-BLK	Holder-Right Side	1
6	20543-00-BLK	W.A. Door-Service Wall Mtg.	1
7	20549-BLK	Panel-Service Door	1
8	14325-BLK	Lock-SVC. Door, Black	1
9	18707	Cam-Lock bar	1
10	20556	Rod Lock Upper	1
11	20555	Rod Lock Lower	1
12	20553	Cam-Lock	1
13	20800	BRK'T Switch	1
14	18714-DR	Tray Ass'y-Door	2
15	1868-BLK	Screw, #8-18 x 1/4 Tapping	34
16	20865	BRK't-Anti Theft	1
17	19431	Motor Harness	3
18	863	Screw, #4-40 x 1/2	4
19	17733	Lockwasher-Int. Thd #4	4
20	15987	Nut-Hex #4-40 Steel	4
21	20805	Divider, Film	3
22	20208	Nut W/Lockwasher #8-32	4
23	20592	Decal-Control Panel	4
24	19687	Lamp BRK'T-26	2
25	18858	Lamp Flourescent, 26"	2
26	2607	Starter-Lamp Socket, FS-25	2
27	20595	Ballast Assembly	1
28	8977	Screw-Sems, #8 x 1/4	11
29	1298	Screw, #8 x 3/8 Tapping	26
30	20732	Door-Del. Slide	2
31	20693	Door Delivery	1
32	681	Screw, #8-32 x 3/4	6
33	1958	Nut, #8-32, Steel, Zinc Plated, Tapp., PPHD	12

Replacement Parts

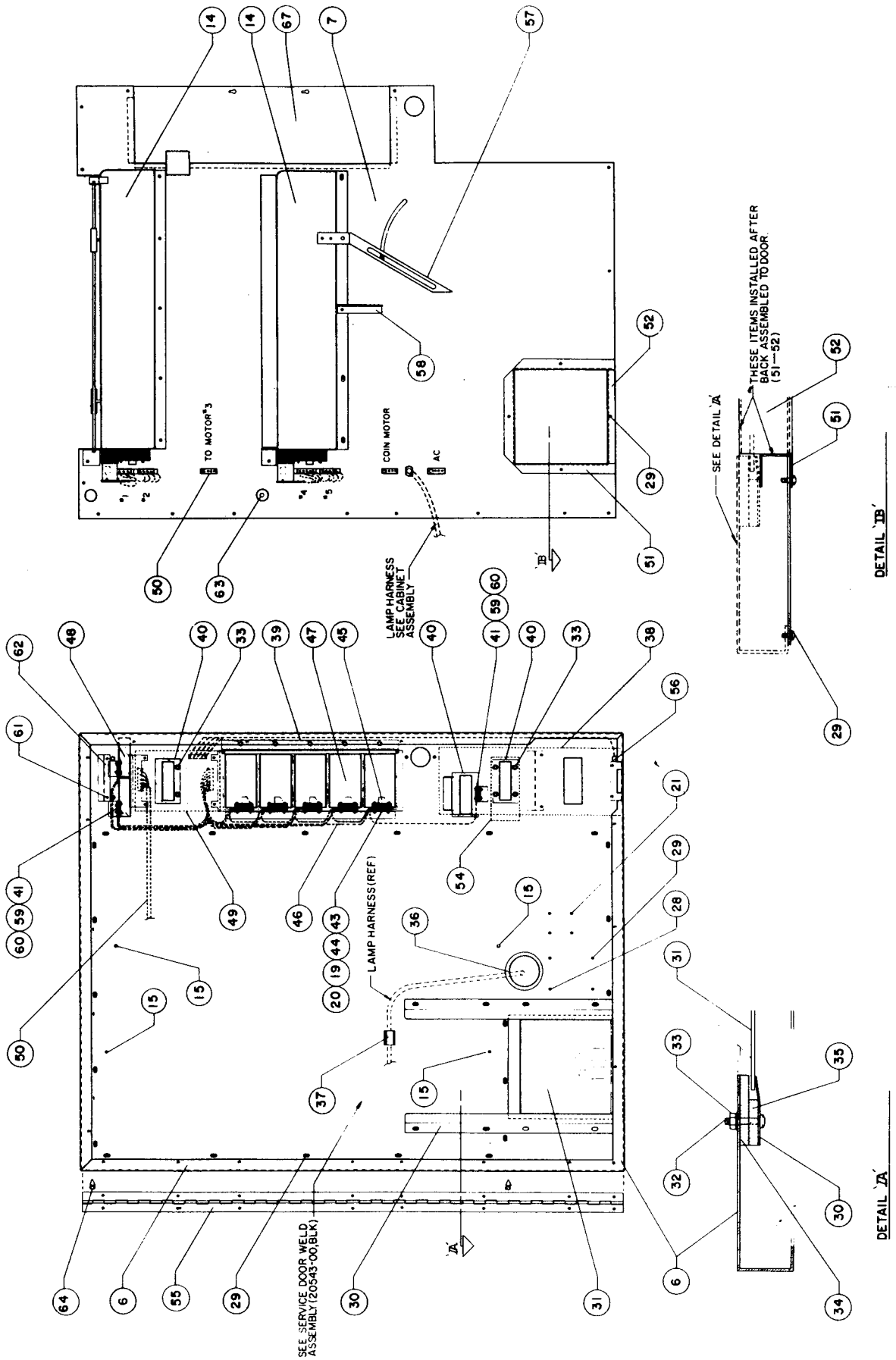
Door Assembly-Model EM-1000

34	20733	Door Del. Slide (Plastic)	2
35	20731	Door Del. Spacer (Plastic)	2
36	1322	Bushing-SB-2000	1
37	8538-01	Clamp Cable 3/8	4
38	20526	Validator, Mars, VF	1
39	20591	Sold-Out Harness	1
40	19558	Lens	5
41	17212	Switch	3
42	746	Screw, #10-24 x 1/2 Tapping, Flat Head Ph 1	2
43	18914	Switch	5
44	4455	Screw, #4-40 x 5/8	10
45	20588	Spring, Plastic	5
46	20552	Harness-Button	1
47	20487	Button	5
48	20834	Lens, MOD. Top	2
49	20589	Control Board	1
50	20590	Harness Motor	1
51	20557	Filler, Det. Lt.	1
52	20558	Filler-Bottom	1
53	4426	Switch Lever	5
54	20770	Serviced, Last Date	1
55	20548-BLK	Door Hinge	1
56	20551	Validator-Harness	1
57	20891	Door, Anti-Theft Assembly	1
58	20862-BLK	Brace Tray	1
59	19336	Screw, #2 x 3/8-32 Phil Pan Head	6
60	80461	Nut, #2-32	6
61	18911	Lamp, LED Lights	1
62	20799	LED Bracket	1
63	990	Button, Service	1
64	326	Bumper, Snap-In	2
65	18374-05	Helix, 8 Count	3
66	18374	Helix, 5 Count	1
67	20559	Cover Place-Control Board	1

Door Assembly-Model-1000



Door Assembly-Model-1000 Continued



Replacement Parts

Payout-Coin Assembly

1	A-15987	Nut, #4-40 Steel Zinc Pltd.	4
2	A-17733	Washer #4, Plated	4
3	B-20572-BLK	Motor Mounting Plate	1
4	B-20567	Top Block Mtg. Tube	1
5	B-20568	Top Plate	1
6	A-20576	Tube-Coin	2
7	B-20843	Slide-Coin, W/A	1
8	B-20570	Spacer-Coin	1
9	B-20571	Plate-Bottom Coin	1
10	A-16770	Screw #4-40 x 3/4 Mach. Pltd.	4
11	A-1299	Screw #8-18 x 5/8 Tapp PPHD	4
12	B-20744	Motor Assembly-Coin	1
13	A-20704	Switch	1
14	A-20830	Wire	2
15	A-19321	Screw #8-18 x 360 (Plastiloc)	2

Replacement Parts may be ordered by calling the Project Help Desk at 1-800-822-8943.

Payout-Coin Assembly-Model EM-1000

